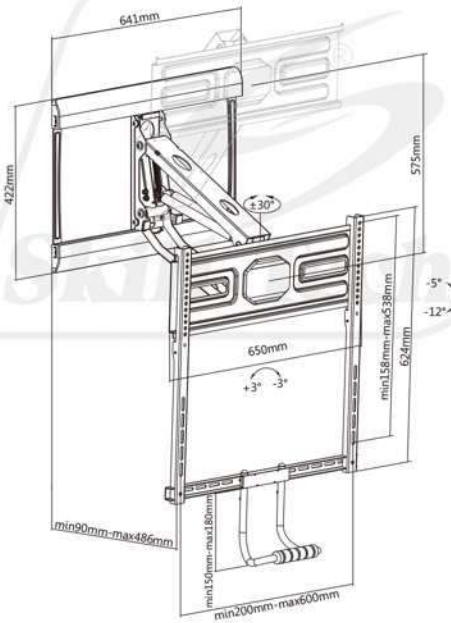


SH 53 461P

Interactive Pull-Down Mantel TV Mount



New Design,
New Experience



Screen Size
43" - 70"



VESA Compatible
200x200 300x200 300x300
400x200 400x300
400x400 600x400



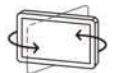
Weight Capacity
**13-35kg/
28.6-77lbs**



Profile to Wall
**90-486mm/
3.5"-19.1"**



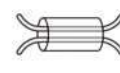
Tilt Range
-5° - -12°



Swivel Range
+30° - -30°



Screen Level
+3° - -3°



Cable Management



Curved TV



Adjustable Mechanism
delivers perfect weight
balance for any TV.



Easy-Grip Handle
makes pull-down and
placement a snap.



Gas Spring Structure
ensures the smooth movement
and strong loading capacity.



Cable Management
Elegancy is in the details.